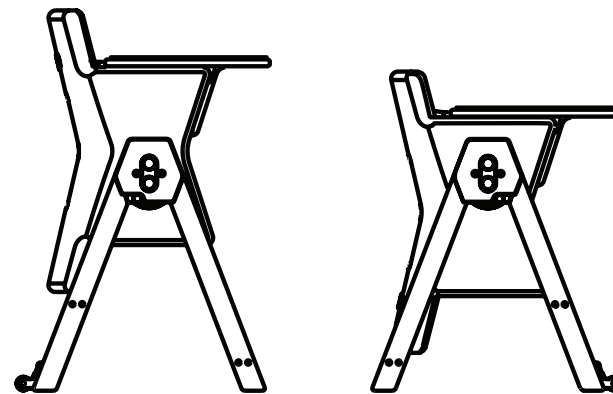


age

Design for Kids

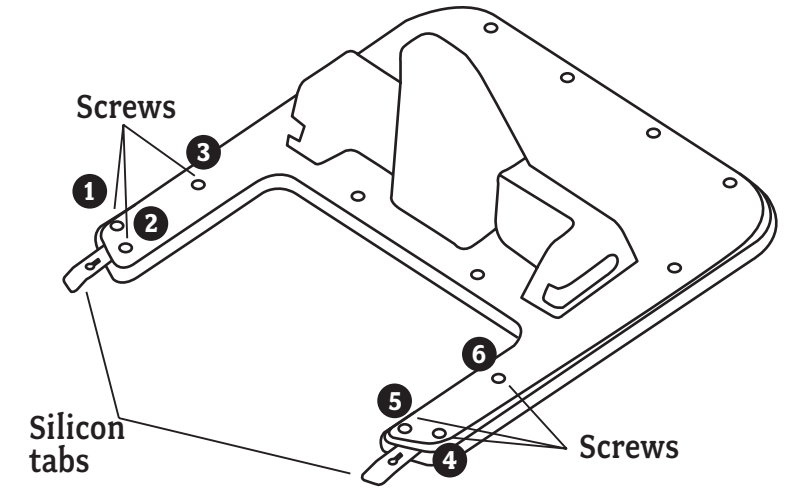


HiLo chair

chaise **HiLo** | **HiLo** silla

TABS REPLACEMENT

TRAY



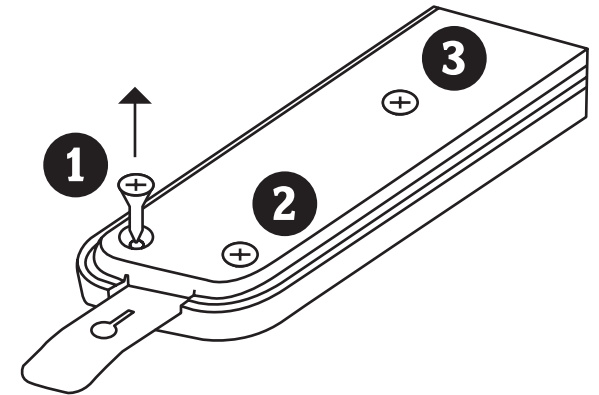
1. Put the tray upside down

LEFT SIDE:

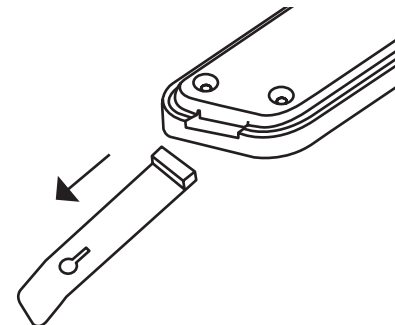
- Unscrew the screws 1 2 3

RIGHT SIDE (ref: illustration above):

- Unscrew the screws 4 5 6



2. Remove the old tabs (Right and Left side)



3. Place the new tabs

- Place the new tab upside down
- Place it between the top and the bottom half of the tray up to rib and fix it in the two cylinders
- Place the screws back (right and left side)

